

D

Fans



HDD SERIES SILENT MIXED FLOW INLINE FAN

DESCRIPTION



1. Fan body is made of environmental protection material with beautiful lines and light weight, double insulation.
2. Fan blade is designed according to hydromechanical principle to reach the optimal airflow and air pressure, high efficiency working, low energy consumption and low noise.
3. Fan inside produced with two-layer sound absorbent and sound wave holes, to reduce noise level.
4. Double diameter connection, sealing-up, leak-proof and shock proof.
5. Backdraft damper designed inside, to prevent return air and insects.
6. Special design of joint to facilitate installation and dismounting; Easy installation and maintenance.
7. Outer rotor motor inside, with Japanese brand NMB ball bearing, long working life over 50000 hours.
8. Protection class: 1P44.
9. Can be designed with user friendly features such as time delay, temperature sense, humidity sensor or other customized functions.
10. Operating temperature range: -20°C-60°C.
11. This series fans offers solution to ventilation problems, especially in places where people work and live and low sound level is required, such as meeting room, office, hotel, public place, residence, hospital, gym

Superior Quality & Services at Affordable prices

HDD SERIES SILENT MIXED FLOW INLINE FAN

DETAILS SHOW



Low-profile fan body with beautiful lines



High performance hydromechanical fan blades



Ultra quiet design with two-layer sound absorbent and sound wave holes



Special design of joint to facilitate



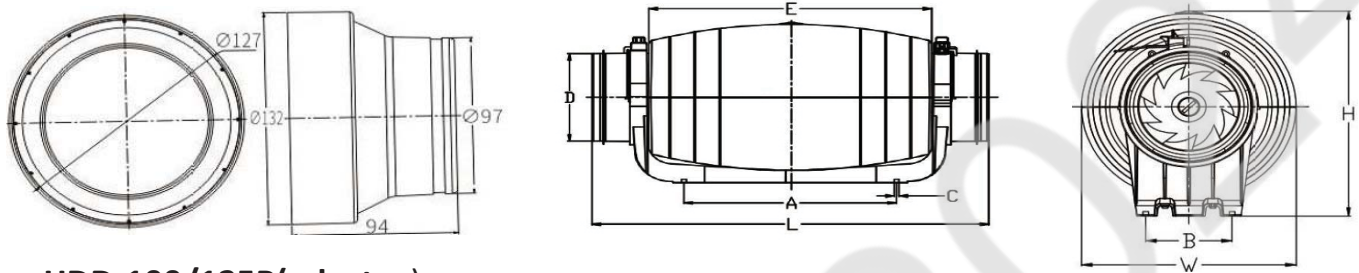
Backdraft dam per designed inside to



Easy installation and maintenance

HDD SERIES SILENT MIXED FLOW INLINE FAN

DIMENSIONS (MM)



HDD-100/125P(adaptor)

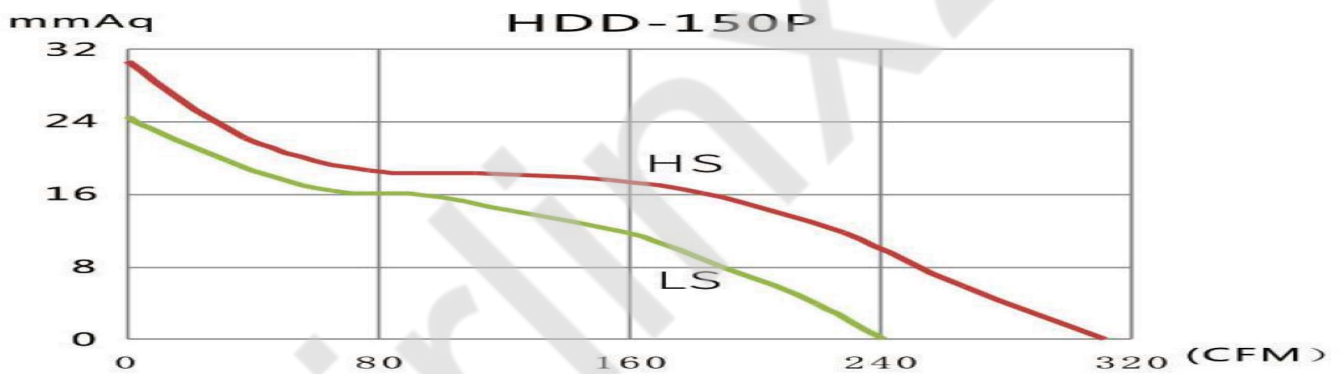
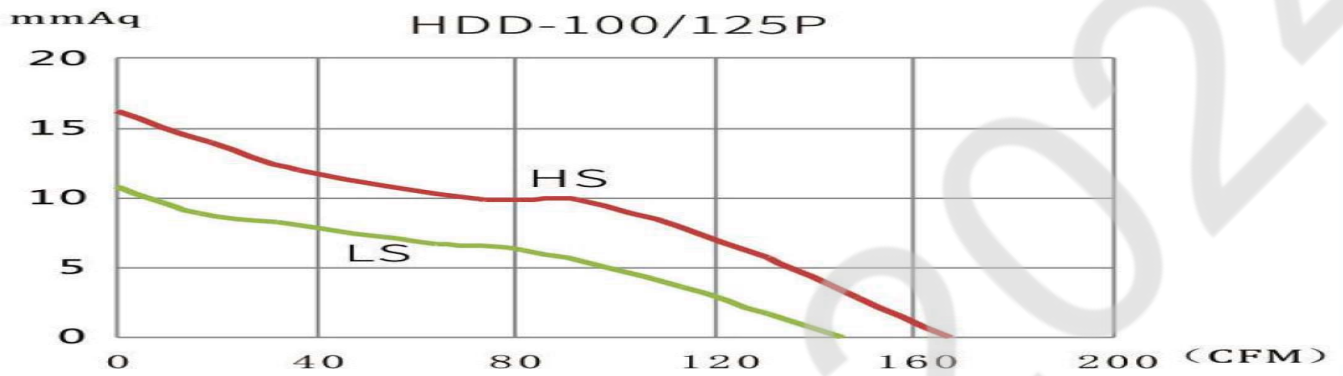
MODEL	A	B	C	φD	E	L	W	H
HDD-100/125P	248	82	4-φ5.5	97/123	330	580/462	205	225
HDD-150P	251	95	4-φ5.3	149/158	352	488	221	244
HDD-200P	339	128	4-φ5.6	198	436	567	262	301

PERFORMANCE PARAMETER

Model	Speed	Voltage /Frequency	Current (Amps)	Power (W)	Speed (RPM)	Airflow (m ³ /h)	Air Pressure (Pa)	Noise (dB)	Net Weight (kgs)
HDD-100/125P	H	220~240V/50Hz	0.14	33	2250	284	159	25	2.8
	L		0.13	28	1850	248	106	22	
HDD-150P	H	100~120V/60Hz	0.30	32	2250	284	159	25	
	L		0.26	27	1850	248	106	22	
HDD-200P	H	220~240V/50Hz	0.25	50	2550	530	300	31	4.0
	L		0.20	43	1850	410	240	26	
HDD-150P	H	100~120V/60Hz	0.55	62	2550	530	300	31	5.9
	L		0.47	51	1850	410	240	26	
HDD-200P	H	220~240V/50Hz	0.57	128	2450	840	352	35	
	L		0.52	123	1950	690	274	29	
HDD-200P	H	100~120V/60Hz	1.41	162	2450	840	352	35	
	L		1.27	146	1950	690	274	29	

HDD SERIES SILENT MIXED FLOW INLINE FAN

PERFORMANCE CURVES



HS: HIGH SPEED LS:LOW SPEED

HF SERIES MIXED FLOW INLINE FAN

DESCRIPTION



1. Fan body is made of eco-friendly raw material with beautiful lines and double insulation.
2. Fan blade is designed according to fluid dynamics principle to reach optimal airflow and air pressure.
3. Special design of joint for easy installation and maintenance.
4. Japanese NMB ball bearing with long working life over 50000hours.
5. IP44 protection class
6. Optional timer delay, humidity sensor, temperature sensor or other functions.
7. Operating temperature range: -20°C-60°C.
8. Perfect for homes, apartments, office, public place, hotel , gym and etc

HF SERIES MIXED FLOW INLINE FAN

DETAILS SHOW



High performance hydro-mechanical fan blades



Sealing ring in connection box, protection class IP44



Hydromechanical wind circle designed to achieve the highest efficiency



Safer mounting base designed according to safety requirements and fan

EASY TO MOUNT

1 Fix the support



2 Couple the ducts



3 Fix the fan body

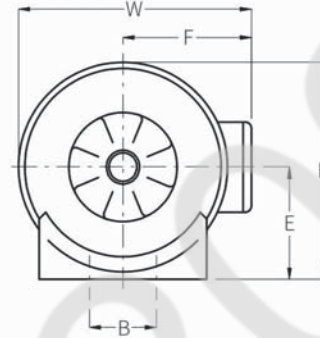
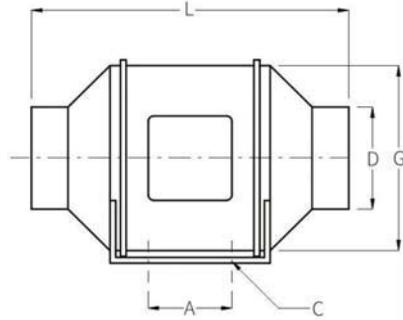


4 Make the connections



HF SERIES MIXED FLOW INLINE FAN

DIMENSIONS (MM)



Model	A	B	C	ΦD	E	F	ΦG	L	W	H
HF-100P	80	60	4-Φ4.5	97	99	116	163	302	204	195
HF-125P	80	60	4-Φ4.5	123	99	116	163	257	204	195
HF-150P	80	60	4-Φ5.0	147	109	127	187	313	227	208
HF-200P	100	94	4-Φ5.5	197	125	137	205	302	249	237
HF-250P	150	150	4-Φ8*11	247	150	174	261	383	310	286
HF-315P	181	178	4-Φ8*11	312	187	216	325	446	386	357

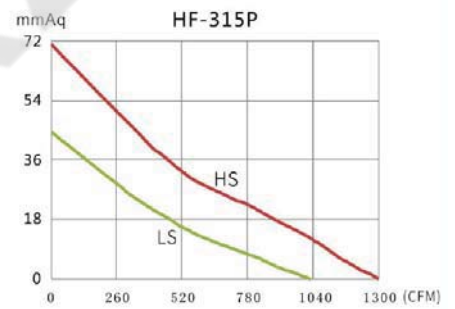
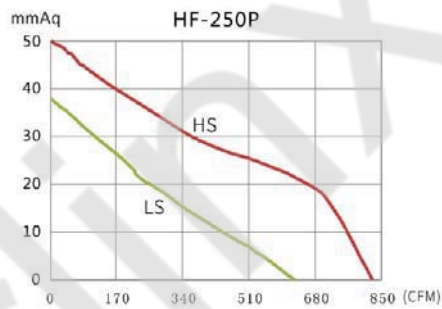
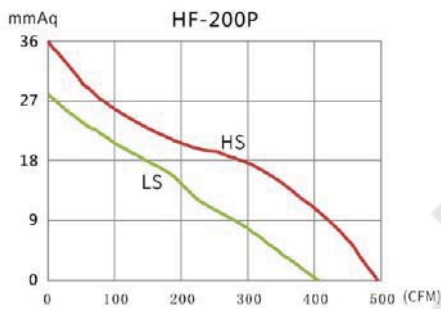
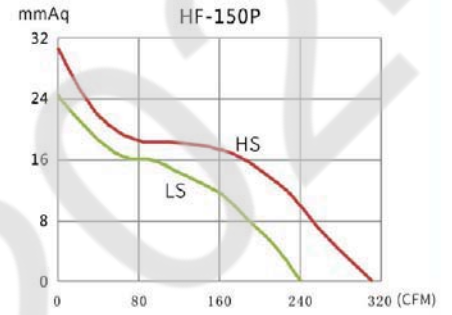
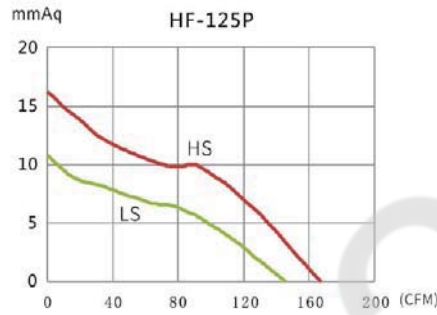
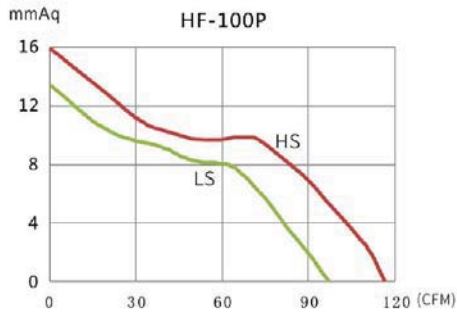
PERFORMANCE PARAMETER

Model	Speed	Voltage /Frequency	Current (Amps)	Power (W)	Speed (RPM)	Airflow (m ³ /h)	Air Pressure (Pa)	Noise (dB)	Net Weight (kgs)
HF-100P	H	220~240V/50Hz	0.12	26	2200	198	156	31	1.5
	L		0.11	23	1850	165	131	26	
HF-125P	H	100~120V/60Hz	0.24	30	2200	198	156	31	1.5
	L		0.22	28	1850	165	131	26	
HF-150P	H	220~240V/50Hz	0.14	33	2250	284	159	31	2.6
	L		0.13	28	1850	248	106	26	
HF-200P	H	100~120V/60Hz	0.30	32	2250	284	159	31	2.6
	L		0.26	27	1850	248	106	26	
HF-250P	H	220~240V/50Hz	0.22	54	2550	530	300	33	4.9
	L		0.19	44	1850	410	240	29	
HF-315P	H	100~120V/60Hz	0.58	65	2550	530	300	33	7.5
	L		0.49	53	1850	410	240	29	
HF-100P	H	220~240V/50Hz	0.53	128	2450	840	352	63	4.9
	L		0.52	123	1950	690	274	55	
HF-200P	H	100~120V/60Hz	1.47	162	2450	840	352	63	4.9
	L		1.27	146	1950	690	274	55	
HF-250P	H	220~240V/50Hz	1.20	225	2450	1405	488	66	7.5
	L		0.75	165	1850	1064	371	58	
HF-315P	H	100~120V/60Hz	2.10	240	2450	1405	488	66	7.5
	L		1.50	166	1850	1064	371	58	
HF-150P	H	220~240V/50Hz	1.90	390	2350	2206	693	69	11
	L		1.40	275	1650	1750	435	61	
HF-200P	H	100~120V/60Hz	3.70	412	2350	2206	693	69	11
	L		2.90	306	1650	1750	435	61	

Superior Quality & Services at Affordable prices

HF SERIES MIXED FLOW INLINE FAN

PERFORMANCE CURVES



HS: HIGH SPEED LS:LOW SPEED

HA SERIES AXIAL DUCT FAN

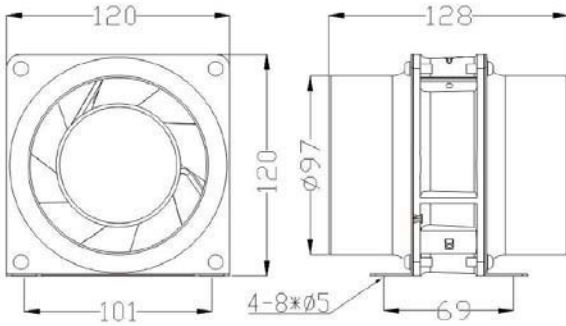
DESCRIPTION



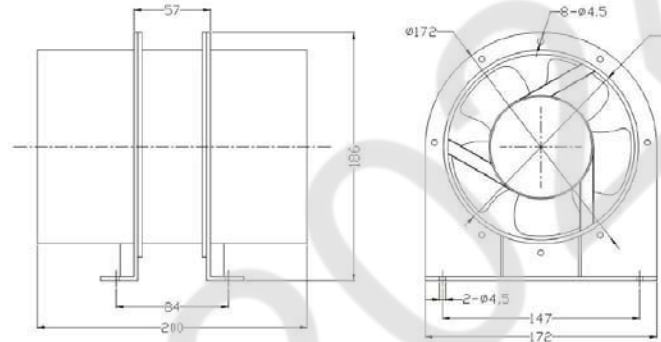
1. Size: 120*120*38mm (duct diameter: 100mm)
Size: 172*150*50mm
2. Housing: Aluminum
3. Sleeve or ball bearing optional
4. Insulation class: F
5. Protection class: IP44

HA SERIES AXIAL DUCT FAN

DIMENSIONS (MM)



HA12038B2



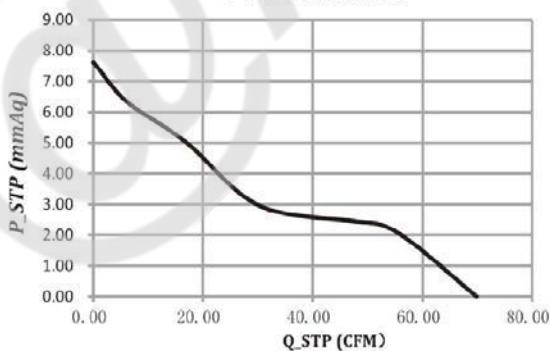
HA17551B2

PERFORMANCE PARAMETER

Model	Voltage (V)	Frequency (Hz)	Power (W)	Current (Amps)	Speed (RPM)	Airflow (m ³ /h)	Noise (dB)	Net Weigh (kgs)
HA12038B2	220-240	50	18	0.12	2700	119	40	0.75
HA17251B2	220-240	50	36	0.26	2500	323	45	1.3

PERFORMANCE CURVES

HA12038B2



HA17251B2

